

Research Laboratories: Department of Drug Science and Technology

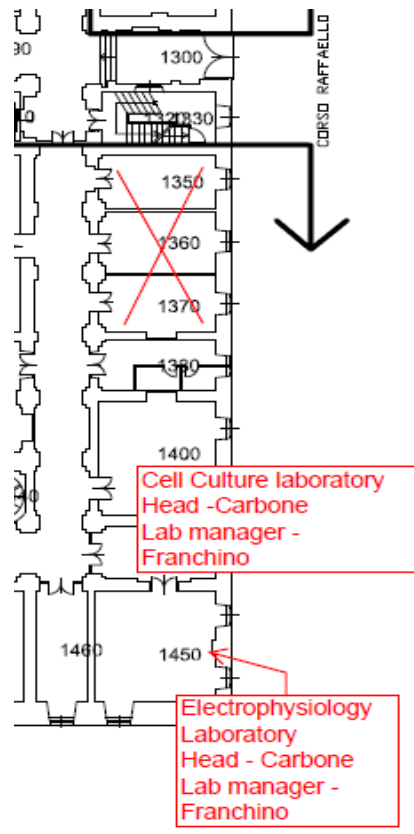
The following research laboratories are present at the Department of Drug Science and Technology and are listed, in order of the buildings they are found in, below:

Entrance Corso Raffaello 30 GROUND FLOOR

Physiology Laboratories:

Electrophysiology laboratory, rooms 1410-1450 – ground floor – Head: Prof. Emilio Carbone – Lab manager Dr. Franchino

Cell Culture laboratory, room 1400 – ground floor – Head: Prof. Emilio Carbone – Lab manager Dr. Franchino



Physiology laboratory 0770 – 1st floor (not in use)

